

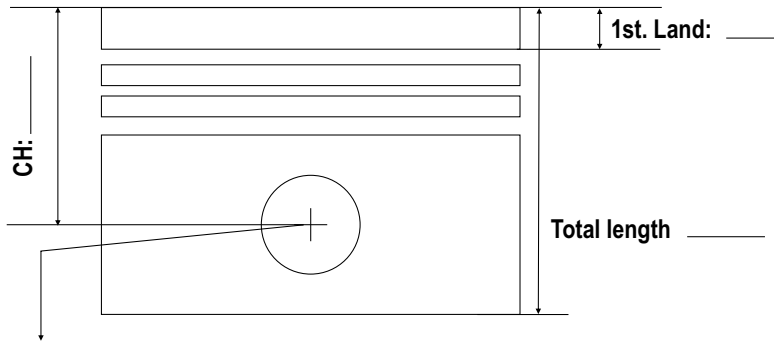
CUSTOM PISTON ORDER FORM

Date: ___/___/___

Order No: _____

Piston Design Info Please use mm.

Ø Bore: _____ Quantity _____ Brand/Model: _____
 Engine Aspired NOS Original Comp. Ratio: _____ New Comp. Ratio wanted: _____
 Type Turbo _____ Engine Cubic cm _____ HP aprox : _____ RPM aprox: _____
 Width of Rod (Pin Zone) _____
 Distance between Bosses wanted: _____



Ø Pin: _____ Center Offset: _____ mm.

Rings:

Mark: _____

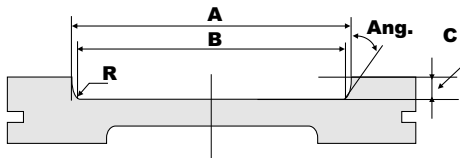
Code: _____

	1st.	2nd.	Oil
Axial			
Radial			

Additional Order Info:

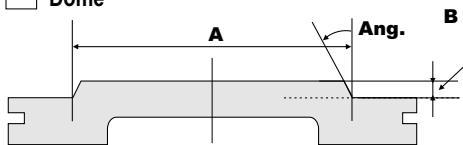
Flat Top

Dish



REFERENCE	
A (Ø Outside)	mm
B (Ø Inside)	mm
C (Depth)	mm
R (Radius)	
Ang. (Angle)	

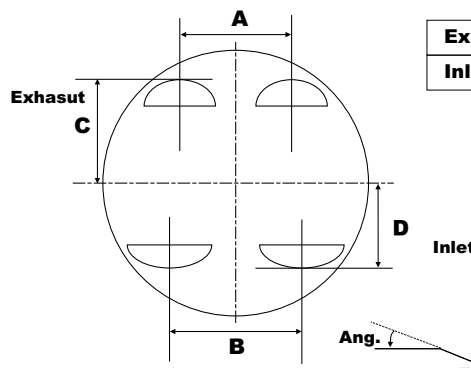
Dome



REFERENCE	
A (Ø Base)	mm
B (Height)	mm
Ang. (Angle)	

4 Valve Pocket Design

REFERENCE	
A (Dist. Between Exhaust)	mm
B (Dist. Between Inlet)	mm
C (Exhaust)	mm
D (Inlet)	mm
E (Exhaust Depth)	mm
F (Inlet Depth)	mm
Exhasut Angle	°
Inlet Angle	°



Exhasut Pocket Ø	
Inlet Pocket Ø	

Warehouse: 4 Frazer Street, Lakemba, NSW 2195
 Postal Address: PO Box 6212 Lakemba Dist Centre
 Ph. 1300 350 351 Fax. 1300 350 454
 E: info@fabre.com.au W: www.fabre.com.au

**EXCLUSIVE
 AUSTRALIAN
 DISTRIBUTOR**

