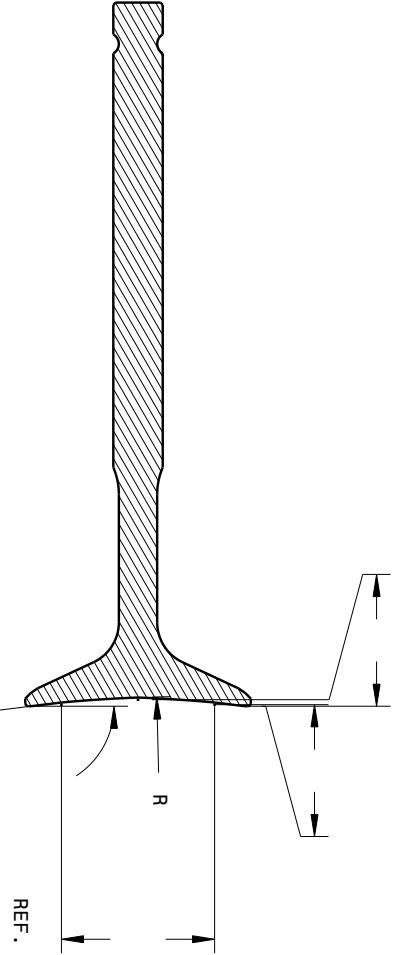
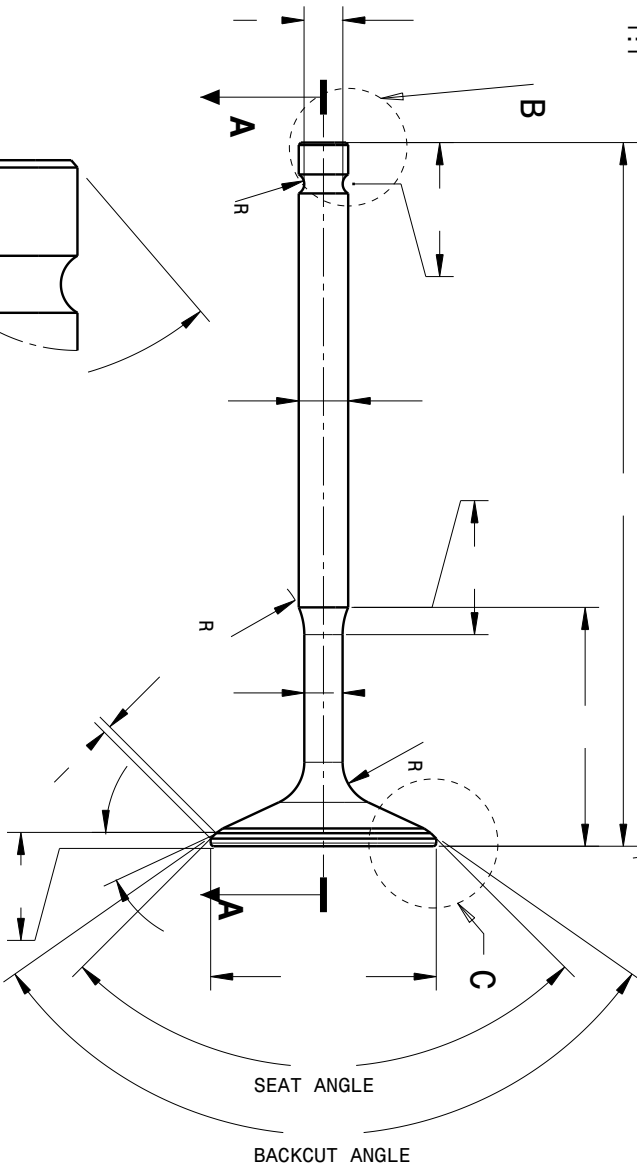


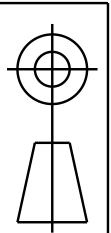
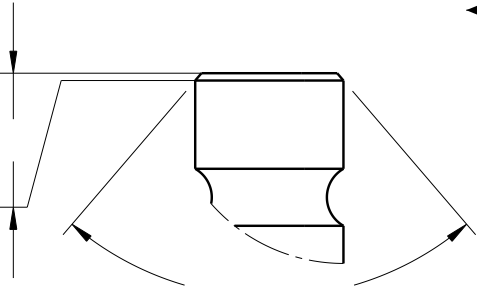
Section cut A-A  
Scale: 1:1



Front view  
Scale: 1:1



Detail B  
Scale: 3:1

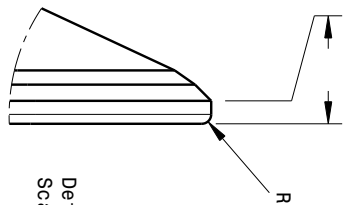


**SUPERTECH**

DRAWN BY \_\_\_\_\_ DATE \_\_\_\_\_ MATERIAL \_\_\_\_\_

QTY REQD \_\_\_\_\_ GAGE # \_\_\_\_\_ PART NAME \_\_\_\_\_

SCALE **1:1** UNITS **MM** PART NO. \_\_\_\_\_



Detail C  
Scale: 3:1



Warehouse: 4 Frazer Street, Lakemba, NSW 2195  
Postal Address: PO Box 6212 Lakemba Dist Centre  
Ph. 1300 350 351 Fax. 1300 350 454  
E: info@fabre.com.au W: www.fabre.com.au

**EXCLUSIVE  
AUSTRALIAN  
DISTRIBUTOR**

